

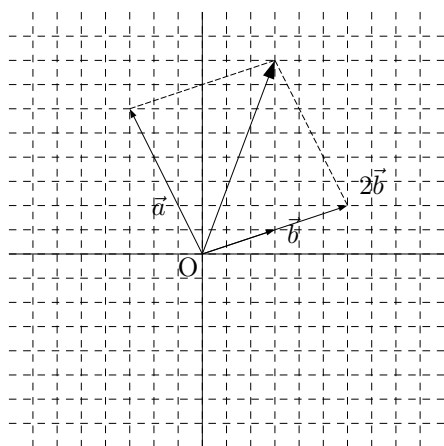
1

(1) $P(-5, 3), Q(2, 4), R(-1, -5)$

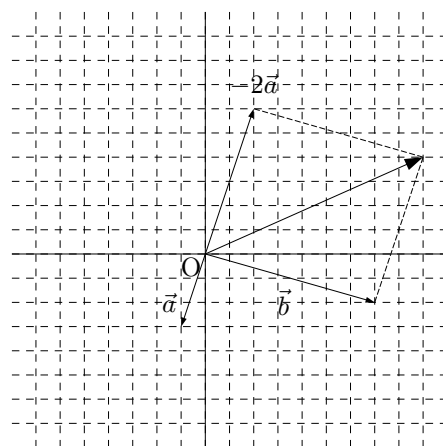
(2) $\overline{PQ} = \sqrt{(2 - (-5))^2 + (4 - 3)^2} = \sqrt{50}$, $\overline{QR} = \sqrt{((-1) - 2)^2 + ((-5) - 4)^2} = \sqrt{90}$. よって, QR 間の距離の方が大きい.

2

(1) $\vec{a} + 2\vec{b}$



(2) $\vec{b} - 2\vec{a}$



3

(1) $A + B$: 計算不可能, $AB = \begin{pmatrix} -1 & 1 \\ 0 & -4 \end{pmatrix}$, $BA = \begin{pmatrix} -7 & 2 & -2 \\ -6 & 0 & -2 \\ 9 & -6 & 2 \end{pmatrix}$

(2) $A + B = \begin{pmatrix} -1 & 3 \\ 7 & 4 \end{pmatrix}$, $AB = \begin{pmatrix} 4 & 3 \\ 1 & 7 \end{pmatrix}$, $BA = \begin{pmatrix} 2 & -1 \\ 7 & 9 \end{pmatrix}$

(3) $A + B$: 計算不可能, AB : 計算不可能, $BA = \begin{pmatrix} 2 \\ 11 \\ -4 \end{pmatrix}$